

Bonville Architectural Cladding Panels



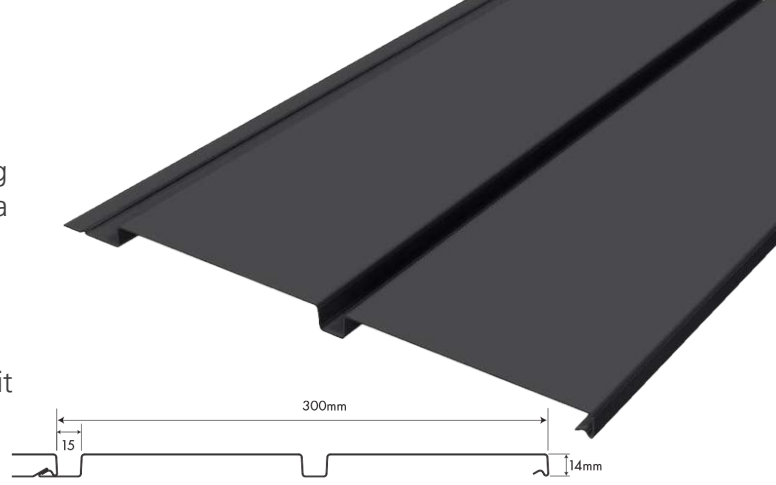
Colorbond[®]
Zincalume[®]

1300 BUY STEEL
fnw.com.au

BRISBANE | TOOWOOMBA | INVERELL

ARCHITECTURAL PANELS

Bonville Panels are a stylish looking architectural cladding product designed for use on external & internal walls of a building, or as an internal ceiling cladding. Manufactured from quality 0.55mm Colorbond® or Zinalume® steel, the panel design allows for concealed fixings giving it a clean, fastener-free look. The square edges and 15mm expressed groove through the middle of the panel allow it to be mounted either vertically or horizontally (or both) to suit your building design.



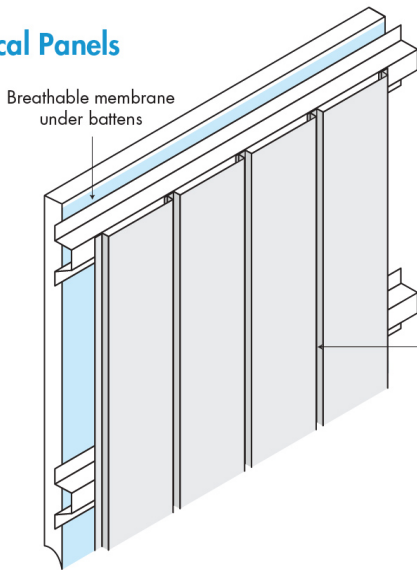
The true versatility is in the Bonville panel's interlocking express joint design allowing it to be used in a wide variety of wall and ceiling applications. Bonville cladding can be attached directly to wall frames or with the use of battens over other structures.

It is available in all 22 Colorbond steel roofing colours, 6 premium Colorbond® Matt colours, 7 Colorbond® Ultra colours designed for high corrosion environments and a metal-coloured Zinalume® finish.

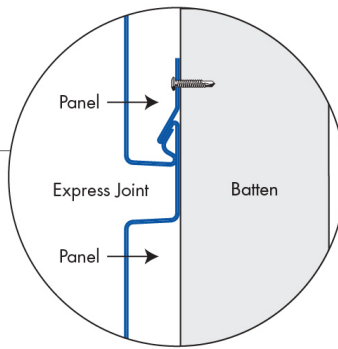
Bonville Cladding panels are available to purchase per lineal metre up to 8m per length.

Vertical Panels

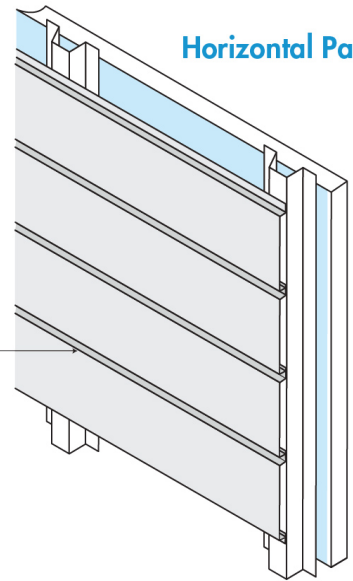
Breathable membrane under battens



Express Joint



Horizontal Panels



BONVILLE ARCHITECTURAL CLADDING PROFILES

Bonville Architectural Cladding is available from Steeline FNW in 3 different profiles:

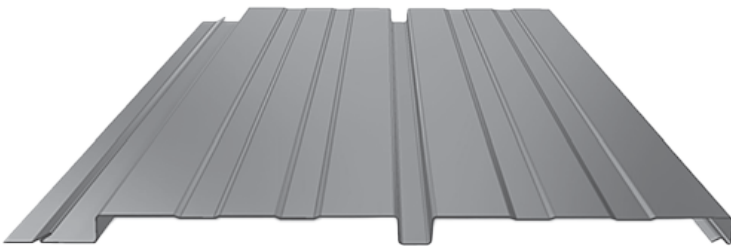
Flat



Key Features

- Manufactured from 0.55mm G300 Colorbond® or Zinalume® steel
- Panel Coverage: 300mm
- 15mm Express Groove in the centre of the panel allowing vertical or horizontal orientation
- Flat profile either side of the centre groove
- Unique interlocking design
- When mounted, fixing points are concealed behind the panel to hide fasteners
- Can be mounted to steel or timber battens
- Wide range of Colorbond® roofing colours to choose from*
- Available per lineal metre up to 8m per length

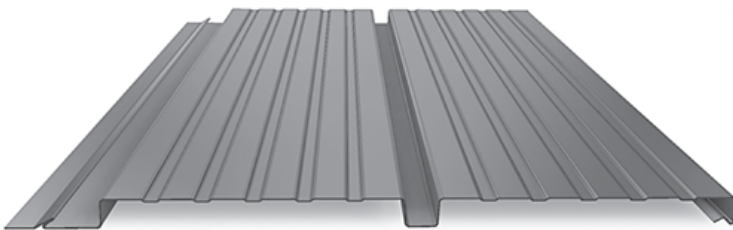
2-Rib



Key Features

- Manufactured from 0.55mm G300 Colorbond® or Zinalume® steel
- Panel Coverage: 300mm
- 15mm Express Groove in the centre of the panel allowing vertical or horizontal orientation
- Two rib profile either side of the centre groove
- Unique interlocking design
- When mounted, fixing points are concealed behind the panel to hide fasteners
- Can be mounted to steel or timber battens
- Wide range of Colorbond® roofing colours to choose from*
- Available per lineal metre up to 8m per length

5-Rib



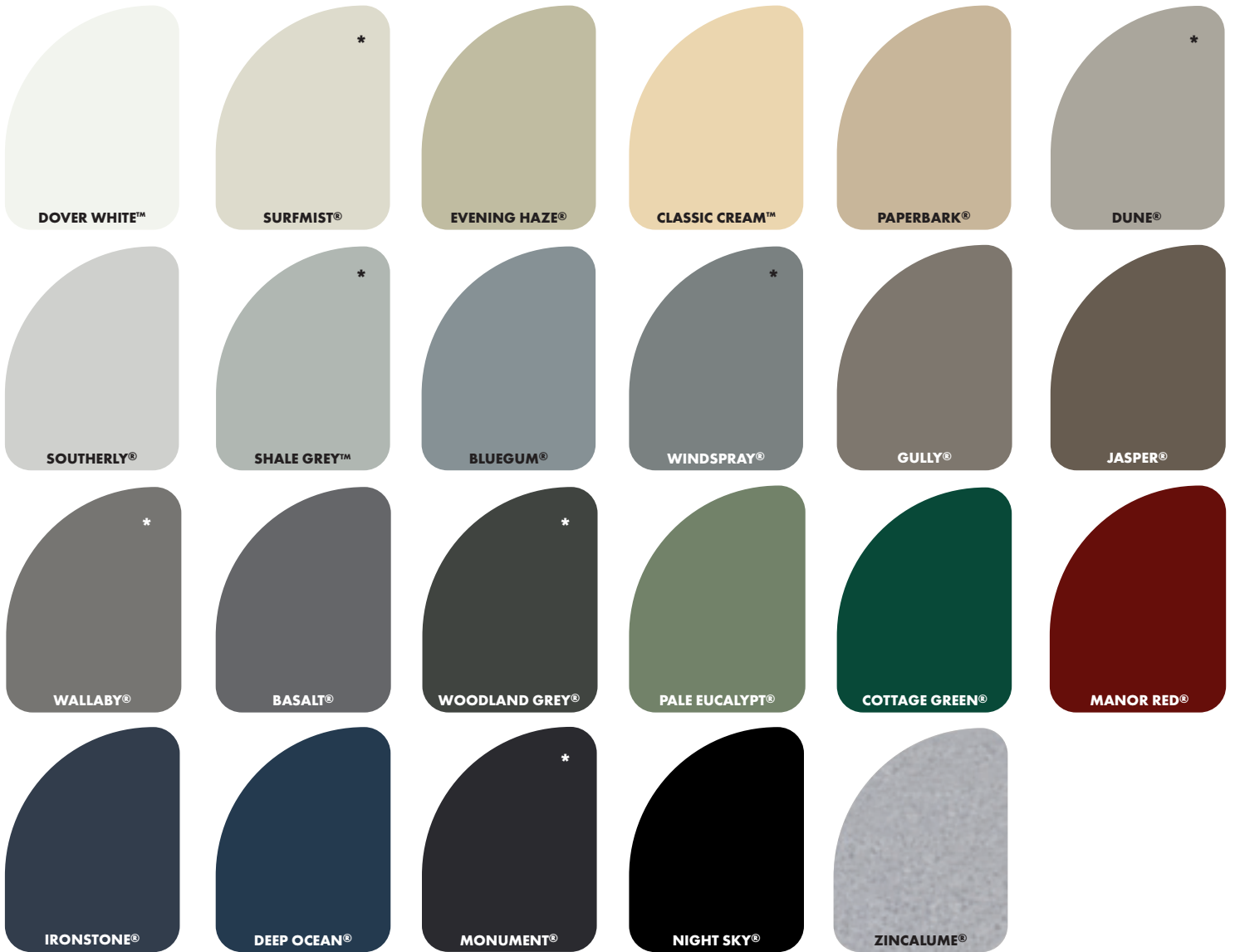
Key Features

- Manufactured from 0.55mm G300 Colorbond® or Zinalume® steel
- Panel Coverage: 300mm
- 15mm Express Groove in the centre of the panel allowing vertical or horizontal orientation
- Five rib profile either side of the centre groove
- Unique interlocking design
- When mounted, fixing points are concealed behind the panel to hide fasteners
- Can be mounted to steel or timber battens
- Wide range of Colorbond® roofing colours to choose from*
- Available per lineal metre up to 8m per length

* Colorbond® Metallic, UniCote® LUX, and other specialty metals are available as a special order. Please contact us for details.

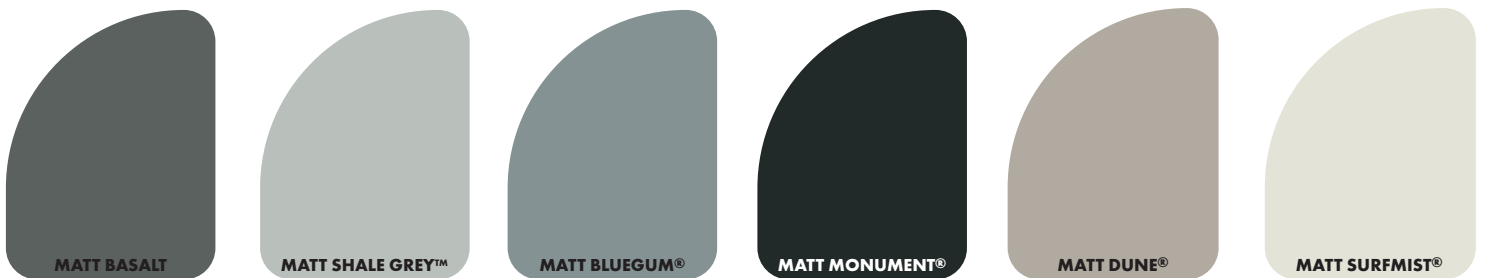
COLOUR YOUR BONVILLE CLADDING PANELS

Of all the elements of design, colour is the most powerful and personal. The COLORBOND® steel colour palette makes it easy to express yourself with colour. Steeline FNW provides you with a huge colour range to choose from which have been inspired by Australia's own magnificent backyard.



Colours marked with an asterisk (*) are also available in Colorbond® Ultra, designed for high corrosion environments.

COLORBOND® MATT



The COLORBOND® steel colour swatches in this brochure have been reproduced to represent actual product colours as accurately as possible. However we recommend checking your chosen colour against an actual sample of the product before purchasing, as varying light conditions and limitations of the printing process may affect colour tones. COLORBOND® ZINCALUME® and ® colour names are registered trade marks of BlueScope Steel Limited. ™ colour names are trade marks of BlueScope Steel Limited. ABN 16 000 011 058. All rights reserved.

Colorbond®

Zincalume®

1300 BUY STEEL
fnw.com.au

BRISBANE

36-54 Badu Court
Meadowbrook QLD 4131

P: (07) 3200 8122
E: brisbane@fnw.com.au

TOOWOOMBA

300 Anzac Avenue
Harristown QLD 4350

P: (07) 4580 4244
E: toowoomba@fnw.com.au

INVERELL

84 Oliver Street
Inverell NSW 2360

P: (02) 6722 4593
E: inverell@fnw.com.au